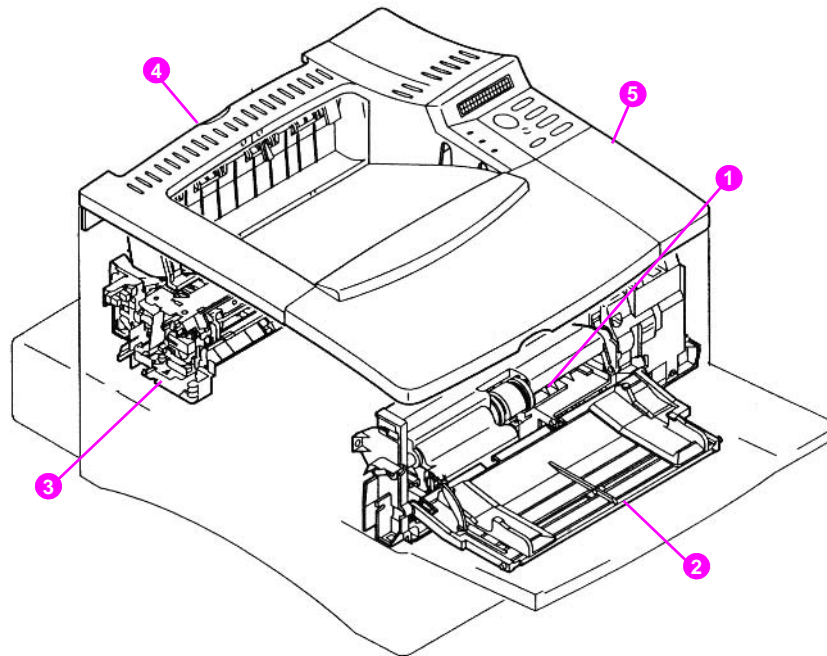
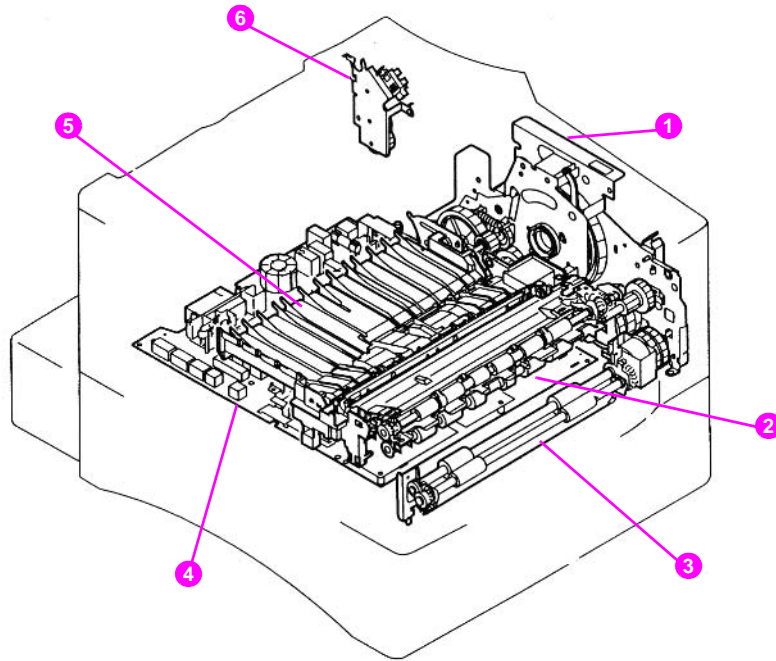


## Illustrations and parts lists



**Figure 118.** Assembly location diagram (1 of 2)

- 1 Tray 1 pickup assembly
- 2 Tray 1 assembly
- 3 Fuser assembly
- 4 Paper delivery assembly
- 5 Top cover assembly



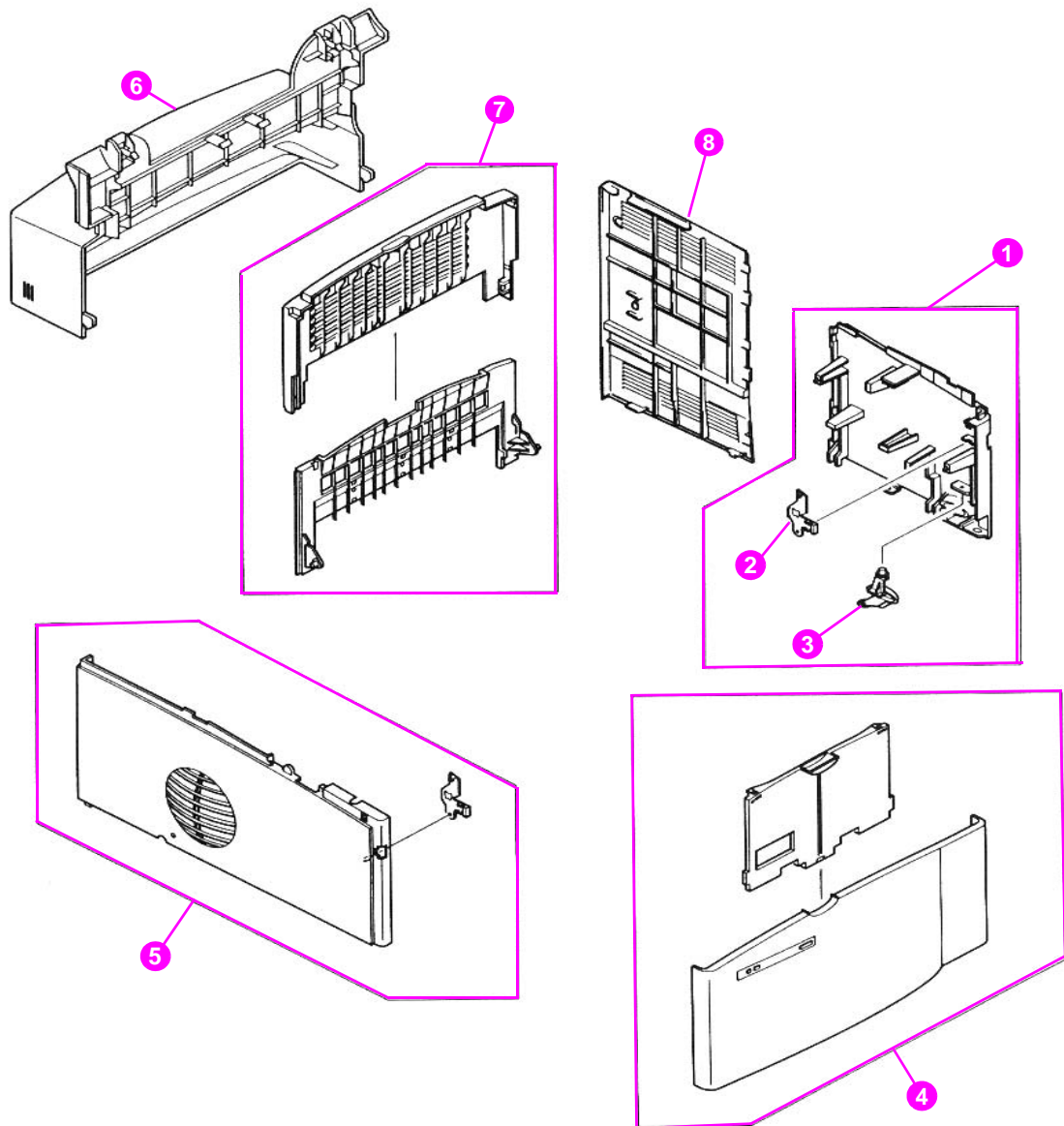
**Figure 119.** Assembly location diagram (2 of 2)

- 1 Main gear assembly
- 2 Registration assembly
- 3 Paper feed assembly
- 4 Engine controller board assembly
- 5 Paper guide assembly
- 6 Delivery drive assembly

**Table 55. Assemblies (listed alphabetically) and their part numbers**

Description	Part no.	Exchange no.	Exploded view in figure
Delivery drive assembly	RG5-5095-000CN		Figure 127 on page 289
EIO cover	5021-0349		N/A
Engine controller board	RG5-5361-000CN (110 V) RG5-5362-000CN (220 V)	C8049-69003 (110 V) C8049-69004 (220 V)	Figure 126 on page 288
Firmware DIMM kit <sup>1</sup>	C4168-67901		N/A
Formatter assembly <sup>1</sup>	C4169-67901	C4169-69001	N/A
Fuser	RG5-5063-000CN (110 V) RG5-5064-000CN (220 V)	C8049-69001 (110 V) C8049-69002 (220 V)	Figure 133 on page 296; Figure 134 on page 297
Laser scanner assembly	RG5-5100-000CN	C8049-69005	Figure 123 on page 282
Tray 1 assembly	RG5-2656-080CN		Figure 122 on page 280
Tray 1 pickup assembly	RG5-5084-000CN		Figure 130 on page 292
Paper delivery	RG5-5094-000CN		Figure 132 on page 295
Paper feed assembly	RG5-5086-000CN		Figure 124 on page 284
Paper feed guide assembly	RG5-5083-000CN		Figure 131 on page 294
Registration	RG5-5085-000CN		Figure 124 on page 284
Top cover	RG5-2663-080CN		Figure 121 on page 278

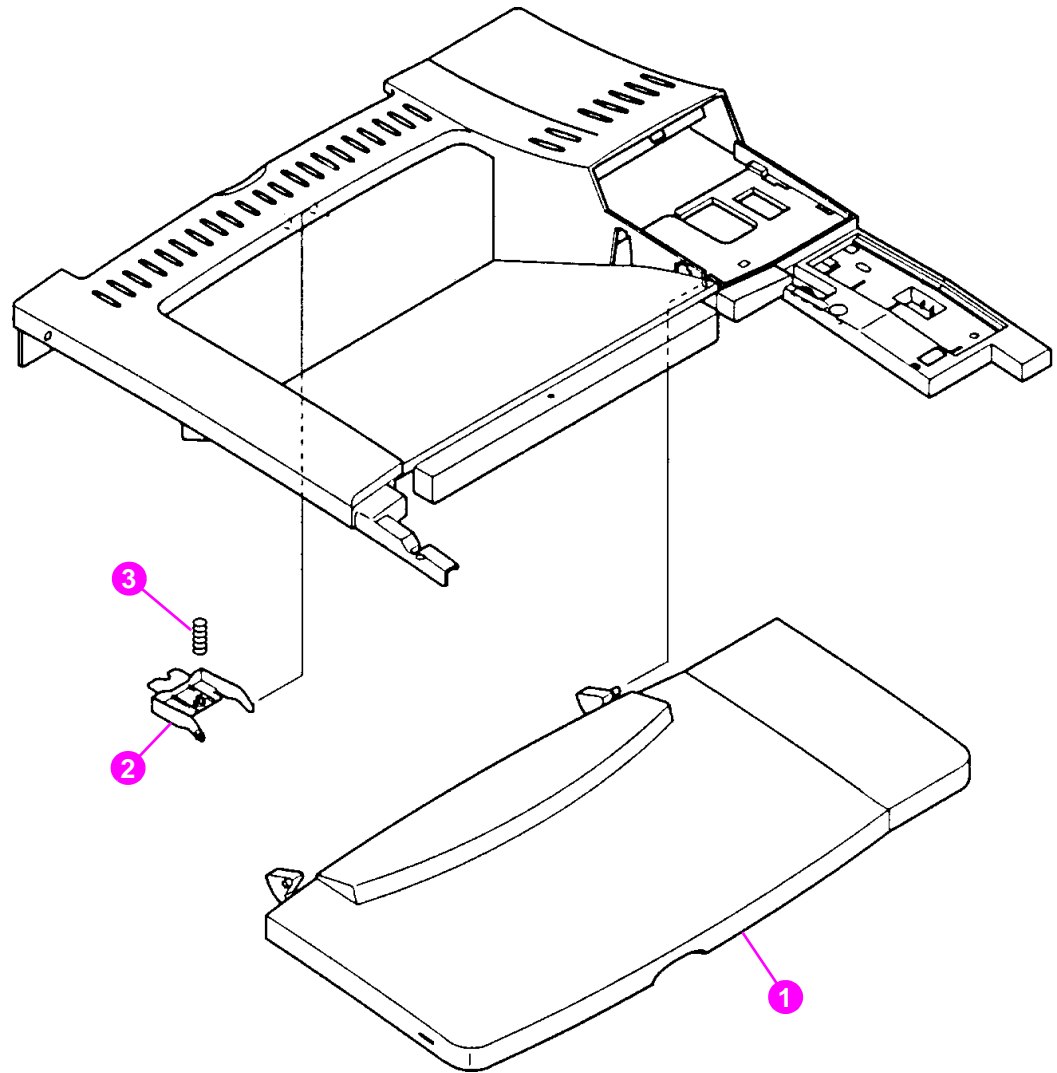
<sup>1</sup>. The formatter does not include onboard firmware; it requires a separate firmware DIMM.



**Figure 120.** External covers and panels

**Table 56. External covers and panels**

Item no.	Part no.	Quantity	Description
1	RG5-2664-020CN	1	Cover assembly, right front
2	RB1-8860-000CN	1	Clip, right side panel
3	RB1-8849-000CN	1	Power switch button
4	RG5-2667-070CN	1	Tray 1 door assembly
5	RG5-5098-000CN	1	Cover assembly, left
6	RB2-4827-000CN	1	Cover, tray 2
7	RG5-5097-000CN	1	Tray assembly, rear
8	RB1-8858-000CN	1	Panel, formatter cover



**Figure 121.** Top cover assembly

**Table 57. Top cover assembly**

<b>Item no.</b>	<b>Part no.</b>	<b>Quantity</b>	<b>Description</b>
	RG5-2663-080CN	1	Top cover assembly
1	RB1-8841-000CN	1	Panel, toner cartridge access
2	RB1-8846-000CN	1	Latch, rear tray
3	RB1-8847-000CN	1	Spring, rear tray latch

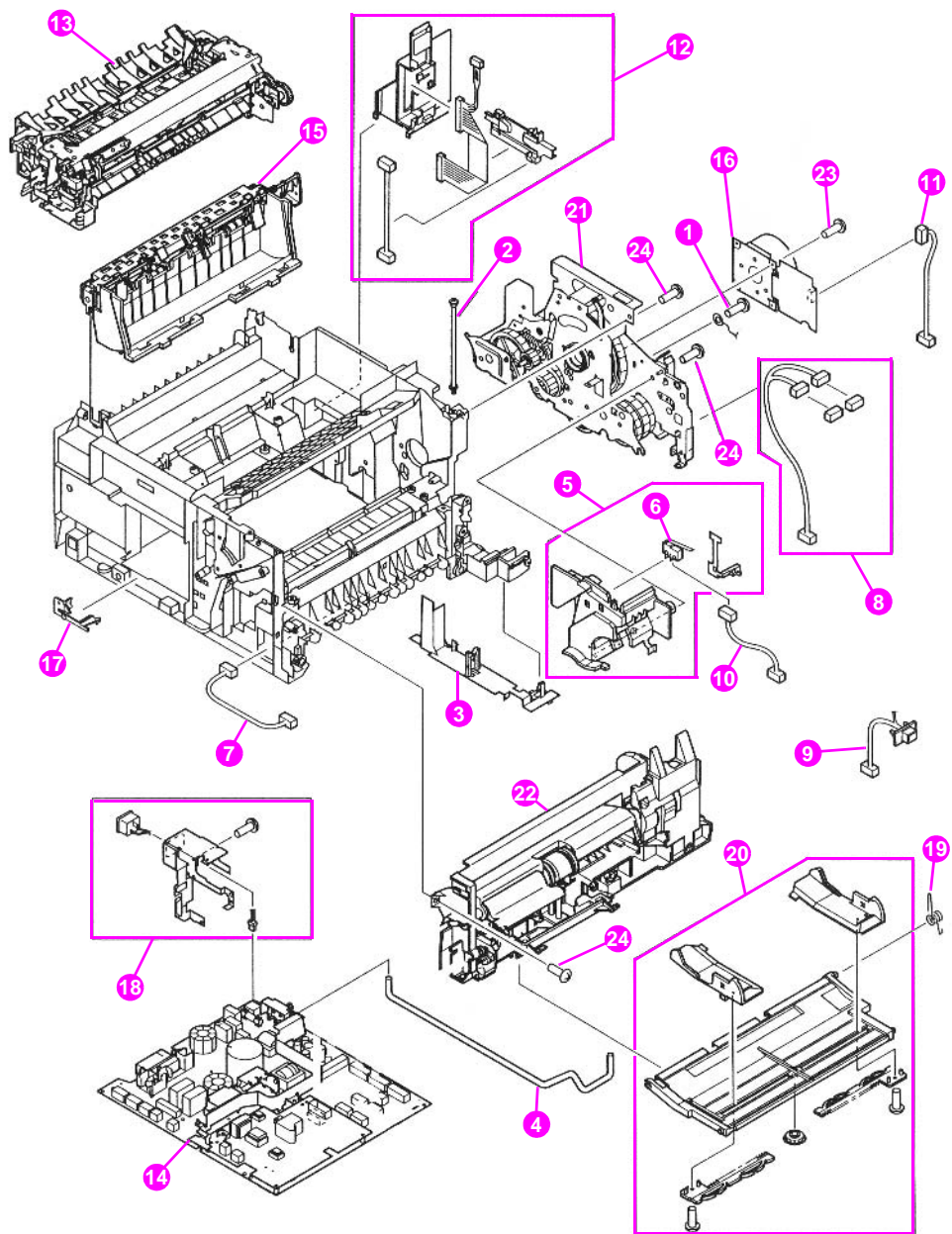


Figure 122. Internal components (1 of 4)

**Table 58. Internal components (1 of 4)**

Item no.	Part no.	Quantity	Description
1	FA9-1449-000CN	4	Screw, truss head, w/washer, grounding
2	RB2-5013-000CN	2	Screw, M4 x 8.3
3	RB1-8704-030CN	1	Guide, bottom cable
4	RB1-8851-000CN	1	Power switch rod
5	RG5-5274-000CN	1	Front inner cover assembly
6	WC4-5139-000CN	1	Switch, top cover interlock access
7	RG5-5341-000CN	1	Cable, tray 1 sensor
8	RG5-5343-000CN	1	Cable, paper feed/tray 1 pickup solenoid
9	RG5-5344-000CN	1	Cable, envelope feeder connect
10	RG5-5345-000CN	1	Cable, top cover switch
11	RG5-5346-000CN	1	Cable, main motor
12	RG5-5351-000CN	1	Cable, assembly, formatter
13	C8049-69001	1	Fusing assembly (110 V)
	C8049-69002	1	Fusing assembly (220 V)
14	C8049-69003	1	Engine controller board (110 V)
	C8049-69004	1	Engine controller board (220 V)
15	RG5-5094-000CN	1	Delivery assembly
16	RH7-1440-000CN	1	Main motor assembly
17	RB2-4986-000CN	1	Clip, fan
18	RG5-5111-000CN	1	AC, power receptacle (110 V)
	RG5-5280-000CN	1	AC, power receptacle (220 V)
19	RB2-4122-000CN	1	Hinge spring, tray
20	RG5-2656-080CN	1	Tray 1 assembly
21	RG5-5087-000CN	1	Printer drive assembly
22	RG5-5084-000CN	1	Tray 1 pickup assembly
23	XB6-7300-807CN	4	Screw, TP, M3x8, main motor
24	XB4-7401-207CN	31	Screw, tapping, pan head, M4x12



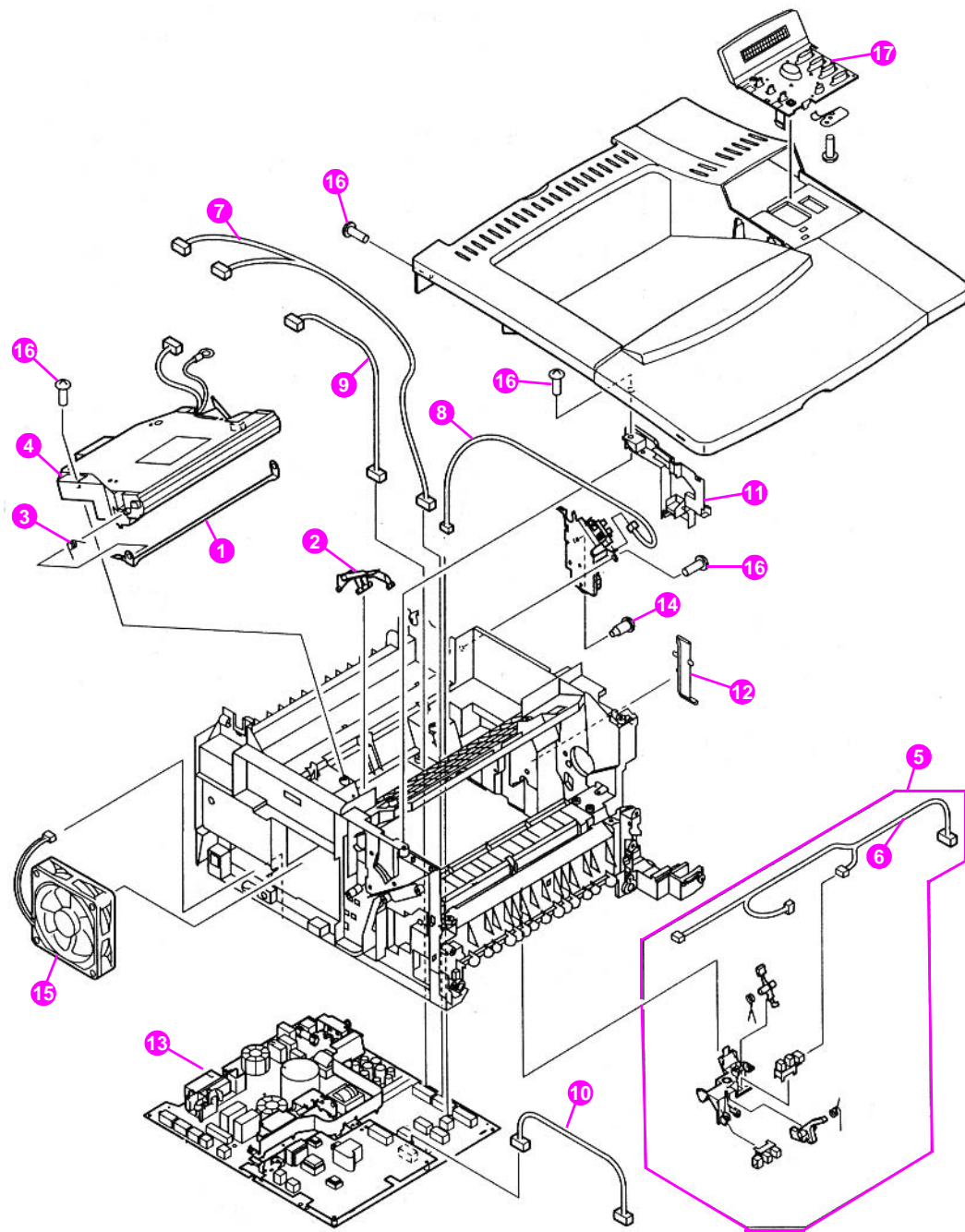
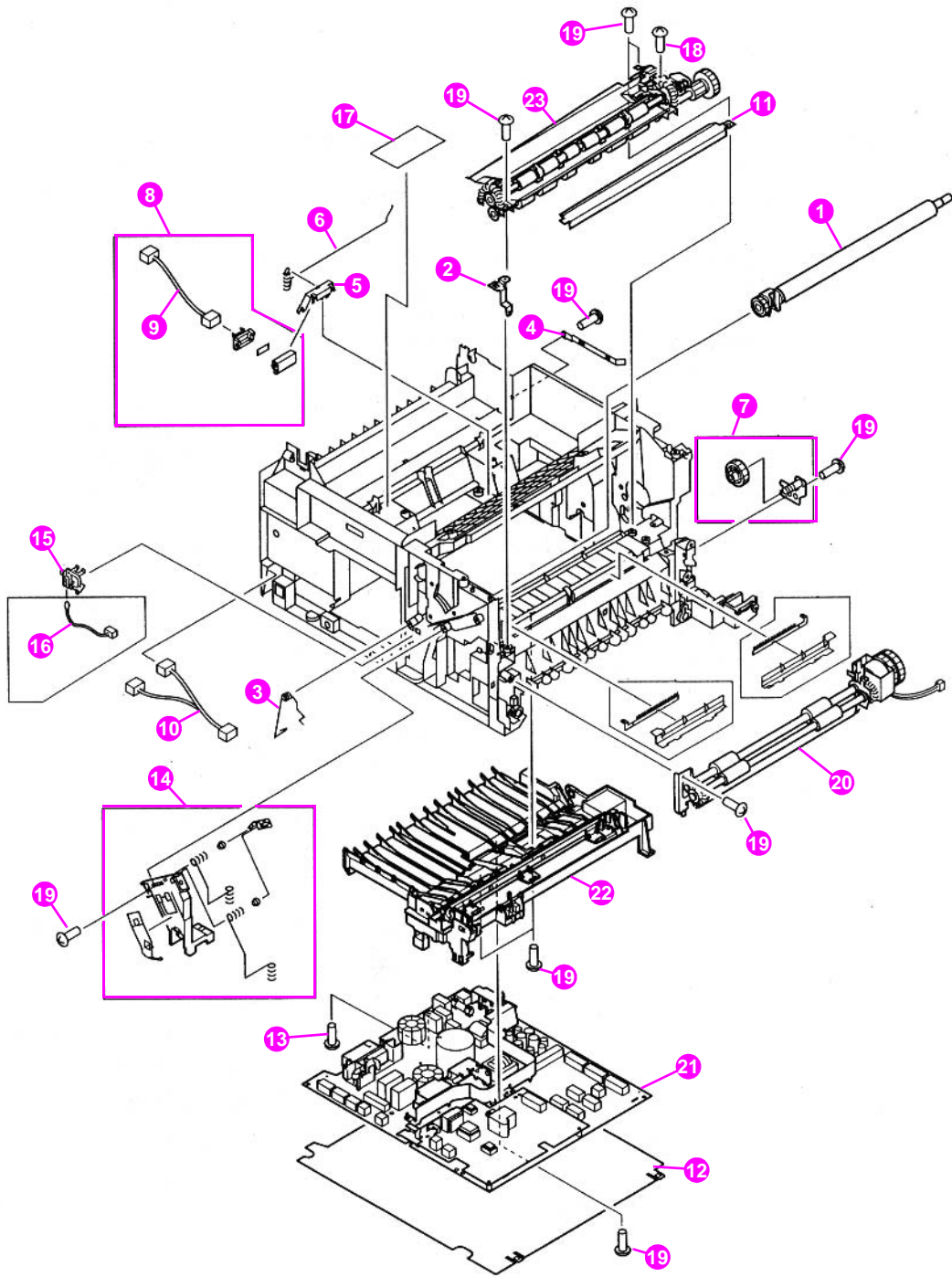


Figure 123. Internal components (2 of 4)

**Table 59. Internal components (2 of 4)**

Item no.	Part no.	Quantity	Description
1	RB1-8699-000CN	1	Shutter
2	RB1-8700-000CN	1	Laser shutter arm
3	RB1-8702-000CN	1	Spring, shutter
4	RG5-5100-000CN	1	Laser scanner assembly
5	RG5-5275-000CN	1	Registration/feed sensor assembly
6	RG5-5357-000CN	1	Cable, feed/registration sensors
7	RG5-5348-000CN	1	Cable, scanner
8	RG5-5349-000CN	1	Cable, output bin sensor
9	RG5-5350-000CN	1	Cable, laser
10	RG5-5470-000CN	1	Cable, memory
11	RB2-5003-000CN	1	Support, top cover, left
12	RB2-4992-000CN	1	Cable holder, formatter
13	C8049-69003	1	Engine controller board (110 V)
	C8049-69004	1	Engine controller board (220 V)
14	XA9-1143-000CN	2	Screw, stepped, M4, formatter
15	RH7-1442-000CN	1	Fan, main cooling
16	XB4-7401-207CN	31	Screw, tapping, pan head, M4x12
17	RG5-5372-040CN	1	Control panel, assembly



**Figure 124.** Internal components (3 of 4)

**Table 60. Internal components (3 of 4)**

Item no.	Part no.	Quantity	Description
1	RG5-5295-000CN	1	Transfer roller assembly
2	RB2-4969-000CN	1	Plate, registration ground
3	RB2-4997-000CN	1	Spring, toner cartridge ground
4	RB2-5002-000CN	1	Plate, continuity
5	RB2-5008-000CN	1	Cartridge memory antenna bracket
6	RB2-5009-000CN	1	Spring, cartridge memory assembly
7	RG5-3723-000CN	1	MP idler assembly
8	RG5-5276-000CN	1	Cartridge memory antenna assembly
9	RG5-5471-000CN	1	Antenna cable
10	RG5-5358-000CN	1	Cable, duplexer
11	RB2-5043-000CN	1	Lower transfer-roller guide
12	RB2-4975-000CN	1	Insulation, engine controller board
13	XA9-1016-000CN	3	Screw w/washer, M3x6, engine controller
14	RG5-5273-000CN	1	Antenna assembly
15	RB2-4996-000CN	1	Mount, thermistor
16	RH7-7116-000CN	1	Thermistor, environmental
17	RG5-5468-000CN	1	PCB, memory controller
18	FA9-1449-000CN	1	Screw, truss head, w/washer, grounding
19	XB4-7401-207CN	5	Screw, tapping, pan head, M4x12
20	RG5-5086-000CN	1	Paper feed assembly
21	C8049-69003	1	Engine controller board (110 V)
	C8049-69004	1	Engine controller board (220 V)
22	RG5-5083-000CN	1	Paper feed guide assembly
23	RG5-5085-000CN	1	Registration assembly

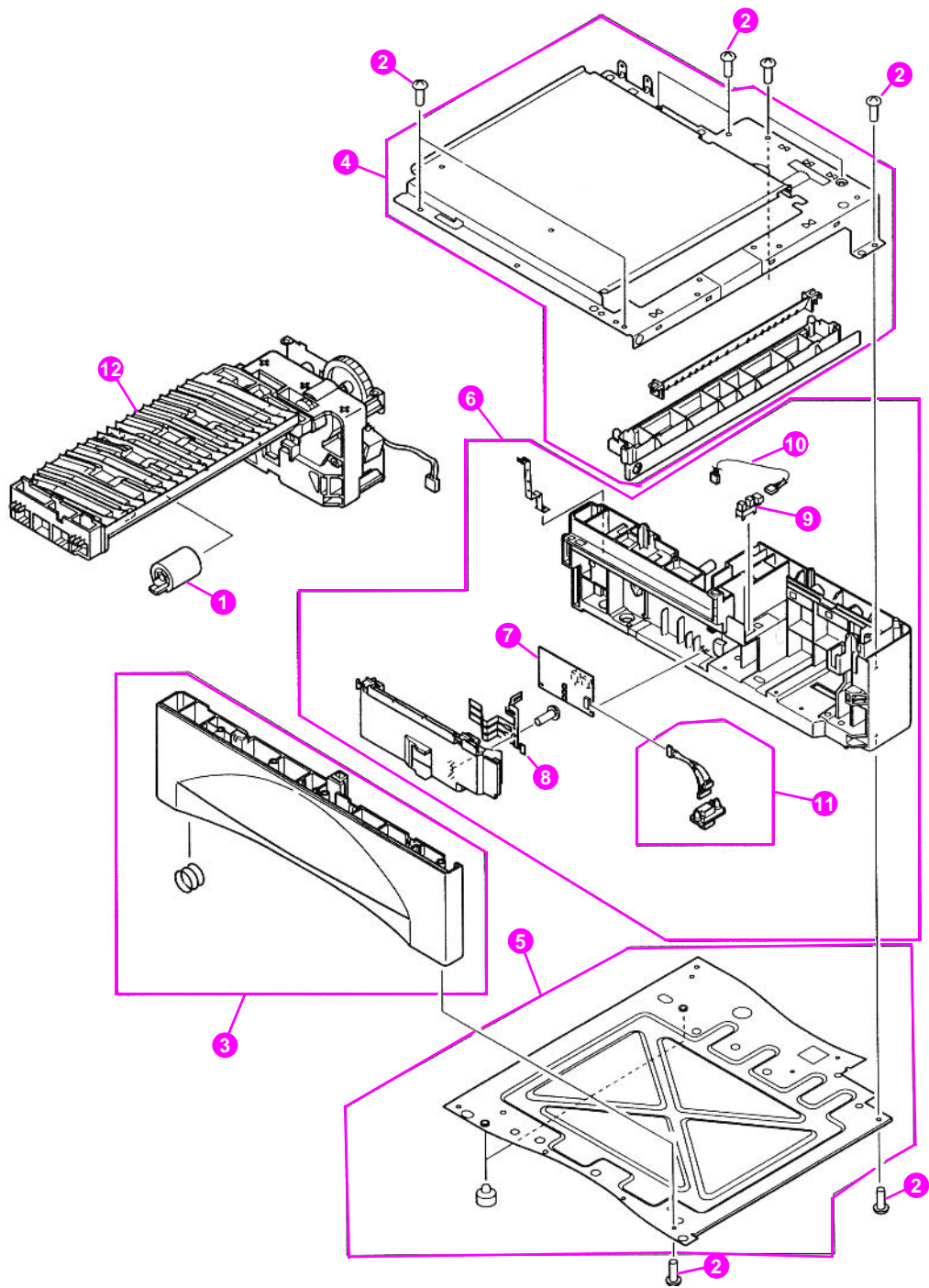
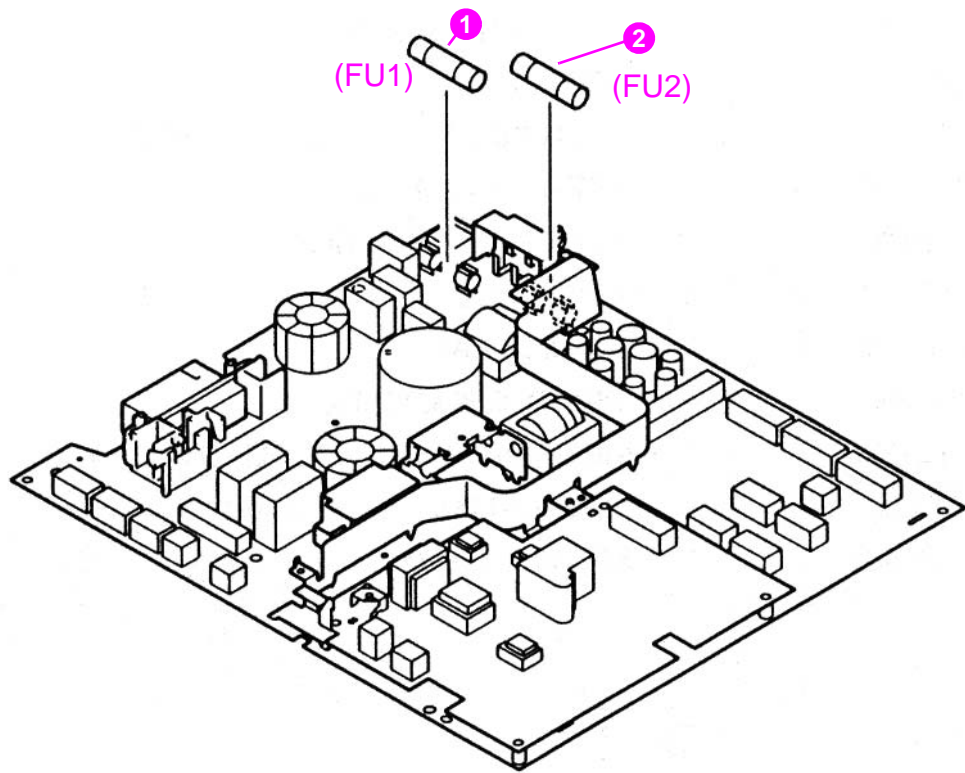


Figure 125. Internal components (4 of 4)

**Table 61. Internal components (4 of 4)**

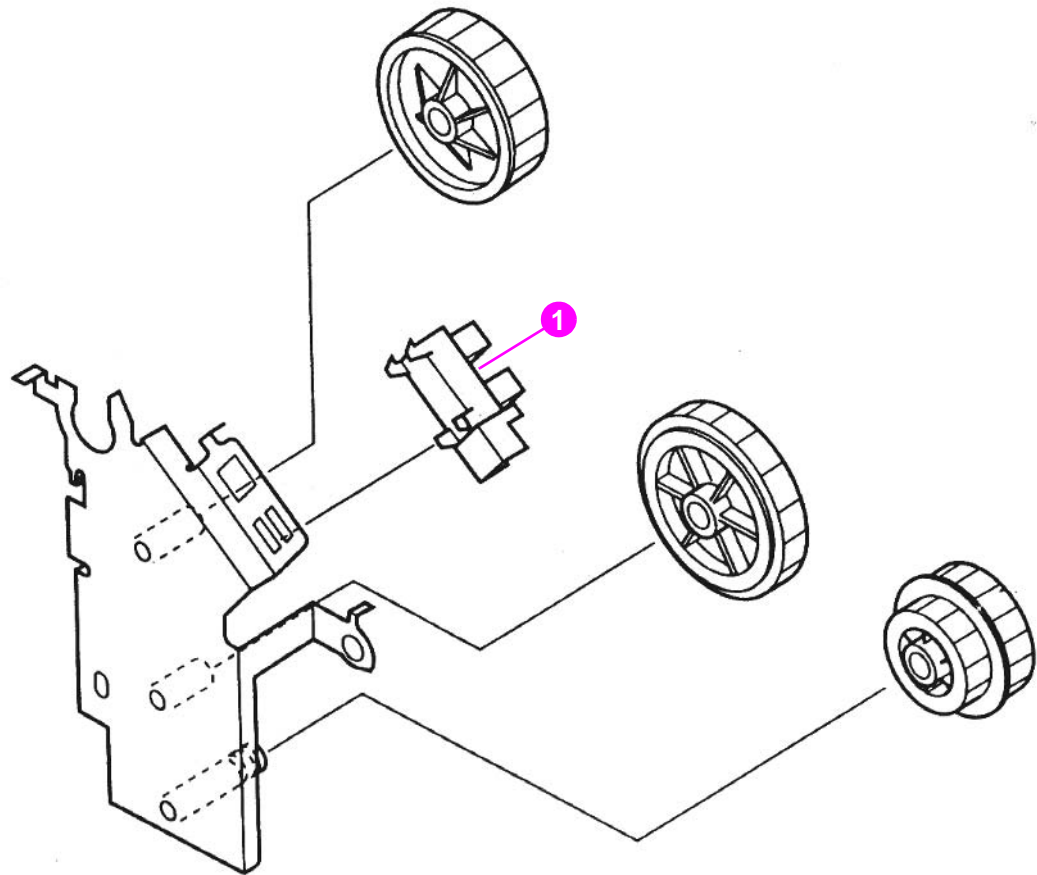
<b>Item no.</b>	<b>Part no.</b>	<b>Quantity</b>	<b>Description</b>
1	RF5-3114-000CN	1	Roller, feed
2	XA9-0870-000CN	12	Screw, M4x10
3	RG5-2669-000CN	1	Left frame assembly, tray 2
4	RG5-5072-000CN	1	Upper frame assembly, tray 2
5	RG5-5271-000CN	1	Lower frame assembly
6	RG5-5278-000CN	1	Right frame assembly, tray 2
7	RG5-2673-004CN	1	Paper-size detection PCB assembly, tray 2
8	RB2-4837-000CN	1	Spring, leaf
9	WG8-5362-000CN	1	Photo-interrupter, TLP1241
10	RG5-3711-000CN	1	Cable, paper feeder sensor
11	RG5-3712-000CN	1	Cable, paper feed with connector
12	RG5-5277-000CN	1	Paper pickup guide assembly, tray 2 (figure 129 on page 291)



**Figure 126.** Engine controller board assembly

**Table 62.** Engine controller board assembly

Item no.	Part no.	Exchange no.	Quantity	Description
	RG5-5361-000CN	C8049-69003	1	Engine controller board assembly (110 V)
	RG5-5362-000CN	C8049-69004	1	Engine controller board assembly (220 V)
1	RH3-8006-000CN WD1-0268-000CN		1 1	Fuse, 220 V, Engine Board Fuse, 110 V, Engine Board
2	VD7-0256-001CN VD7-0643-151CN		1 1	Fuse, 110 V, Engine Fuse, 220 V, Engine

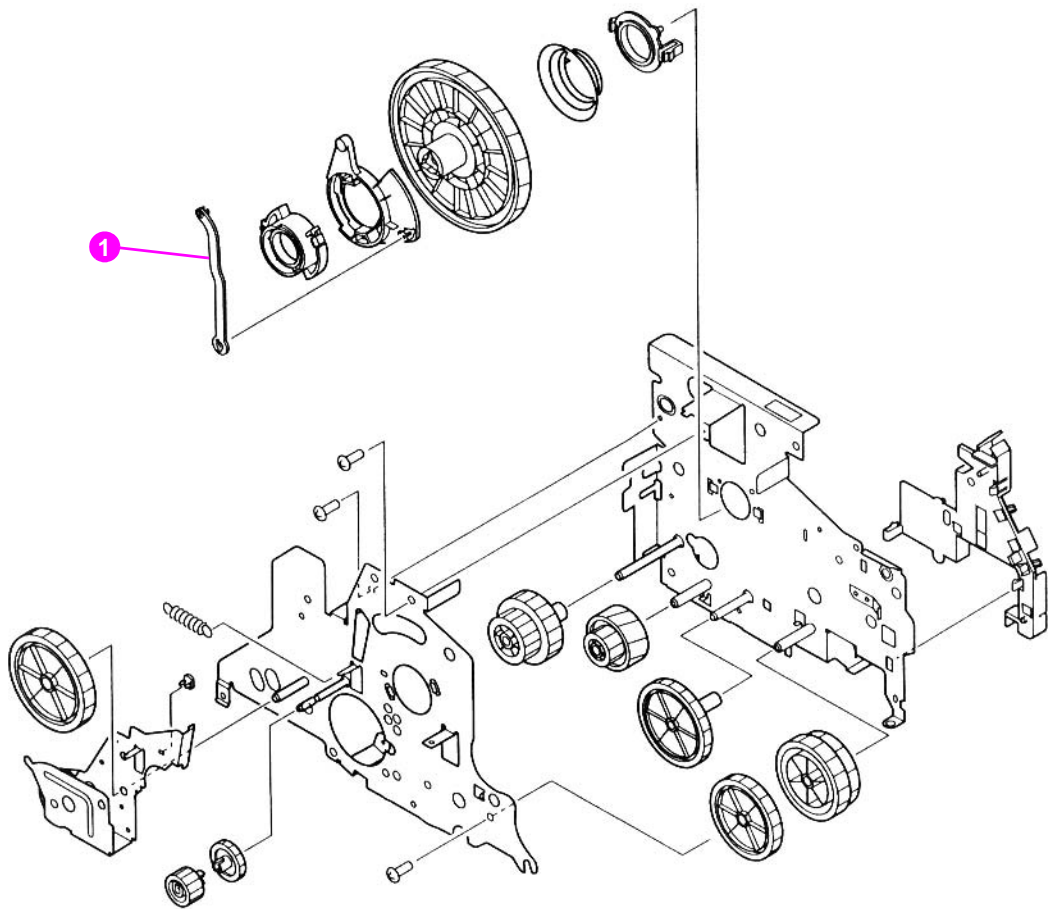


**Figure 127.** Delivery drive assembly

**Table 63. Delivery drive assembly**

Item no.	Part no.	Quantity	Description
	RG5-5095-000CN	1	Delivery drive assembly
1	WG8-5362-000CN	1	Sensor, optical, included in assembly

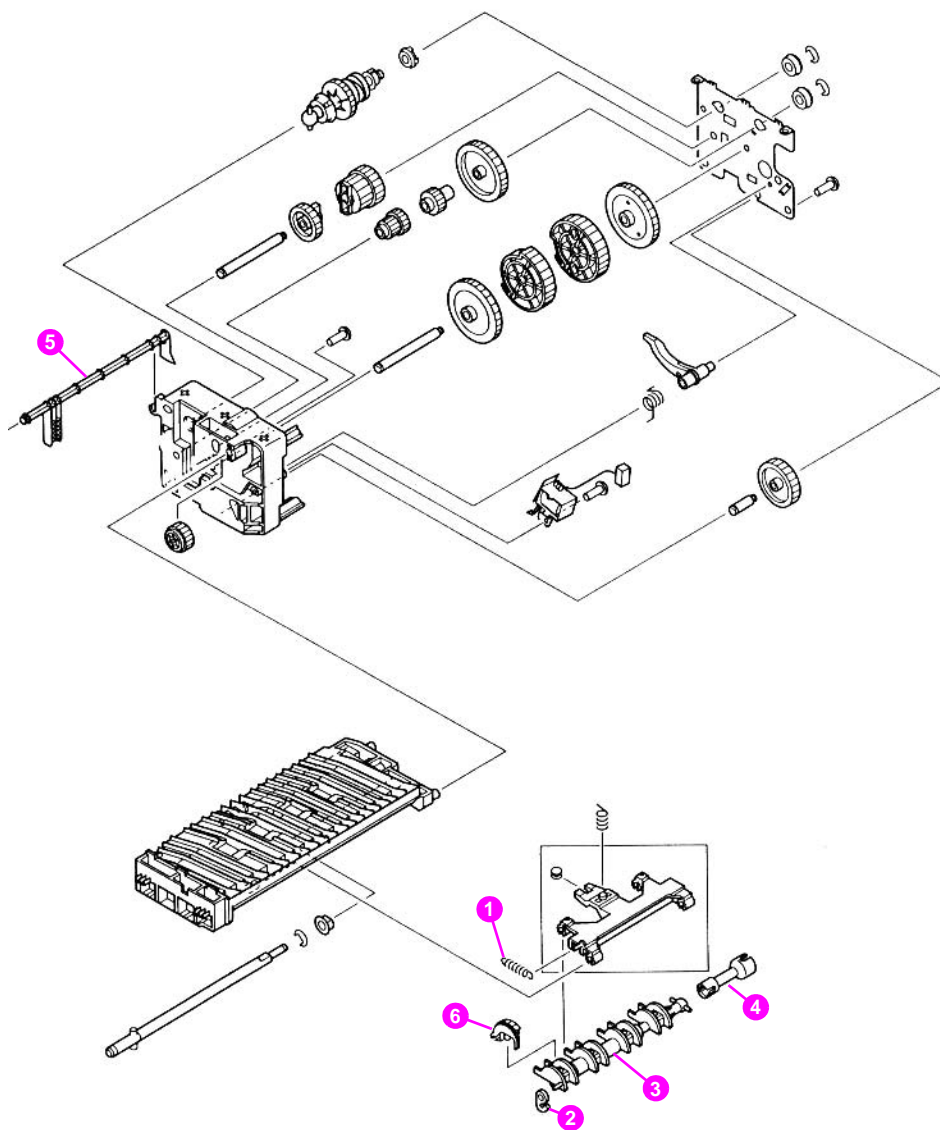




**Figure 128.** Printer drive assembly

**Table 64. Printer drive assembly**

Item no.	Part no.	Quantity	Description
	RG5-5087-000CN	1	Printer drive assembly
1	RB1-8756-000CN	1	Rod, toner drive, included in assembly



**Figure 129.** Tray 2 paper pickup guide assembly

**Table 65. Paper pickup guide assembly**

Item no.	Part no.	Quantity	Description
	RG5-5277-000CN	1	Paper pickup guide assembly, tray 2
1	RS5-2632-000CN	1	Spring, tension
2	RB1-2190-000CN	1	Clip, pickup spring
3	RB1-8867-000CN	1	Shaft, roller
4	RB1-8877-000CN	1	Joint
5	RB1-8879-000CN	1	Arm, tray sensing
6	RB1-8957-000CN	4	Pickup roller

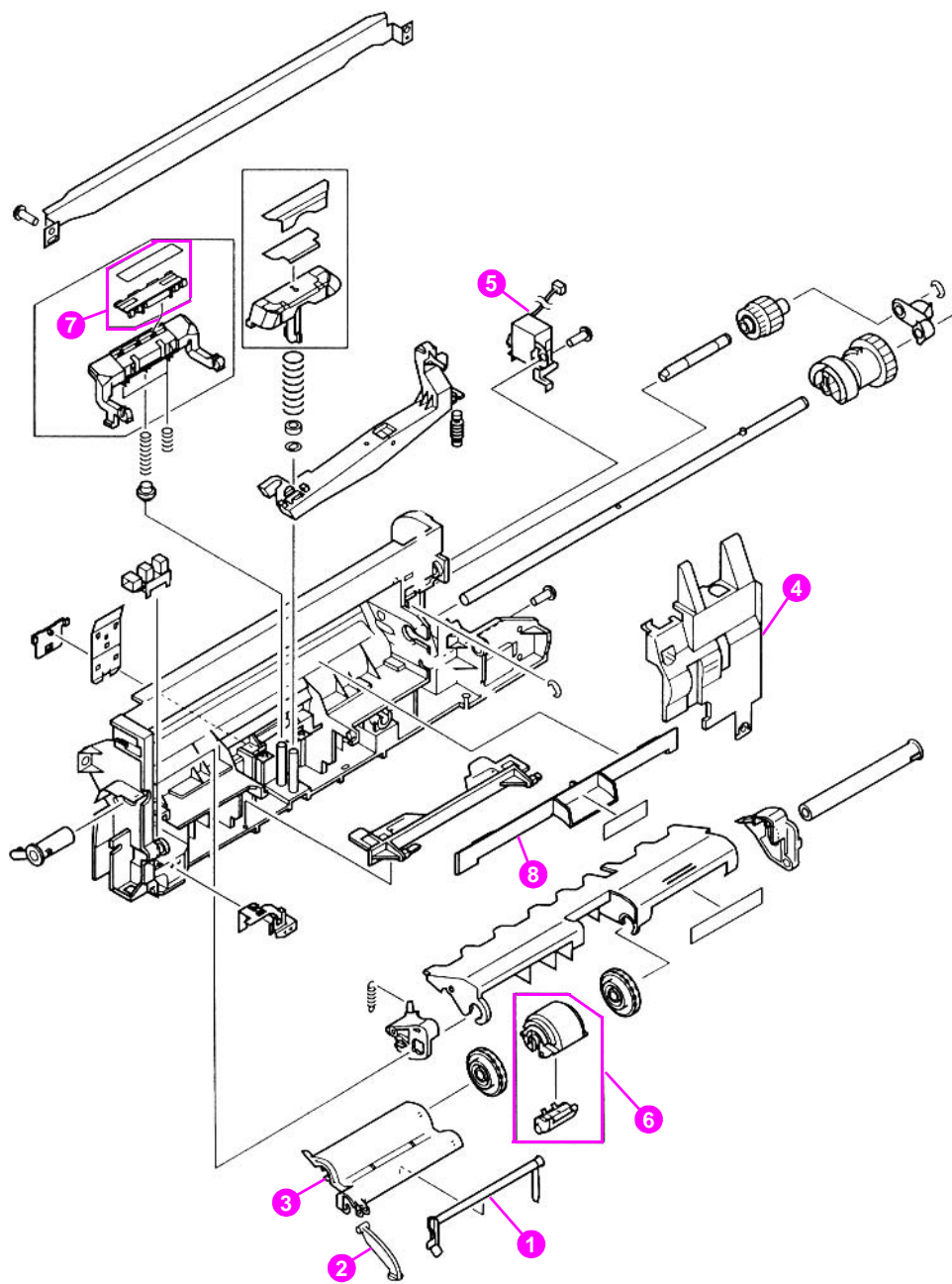
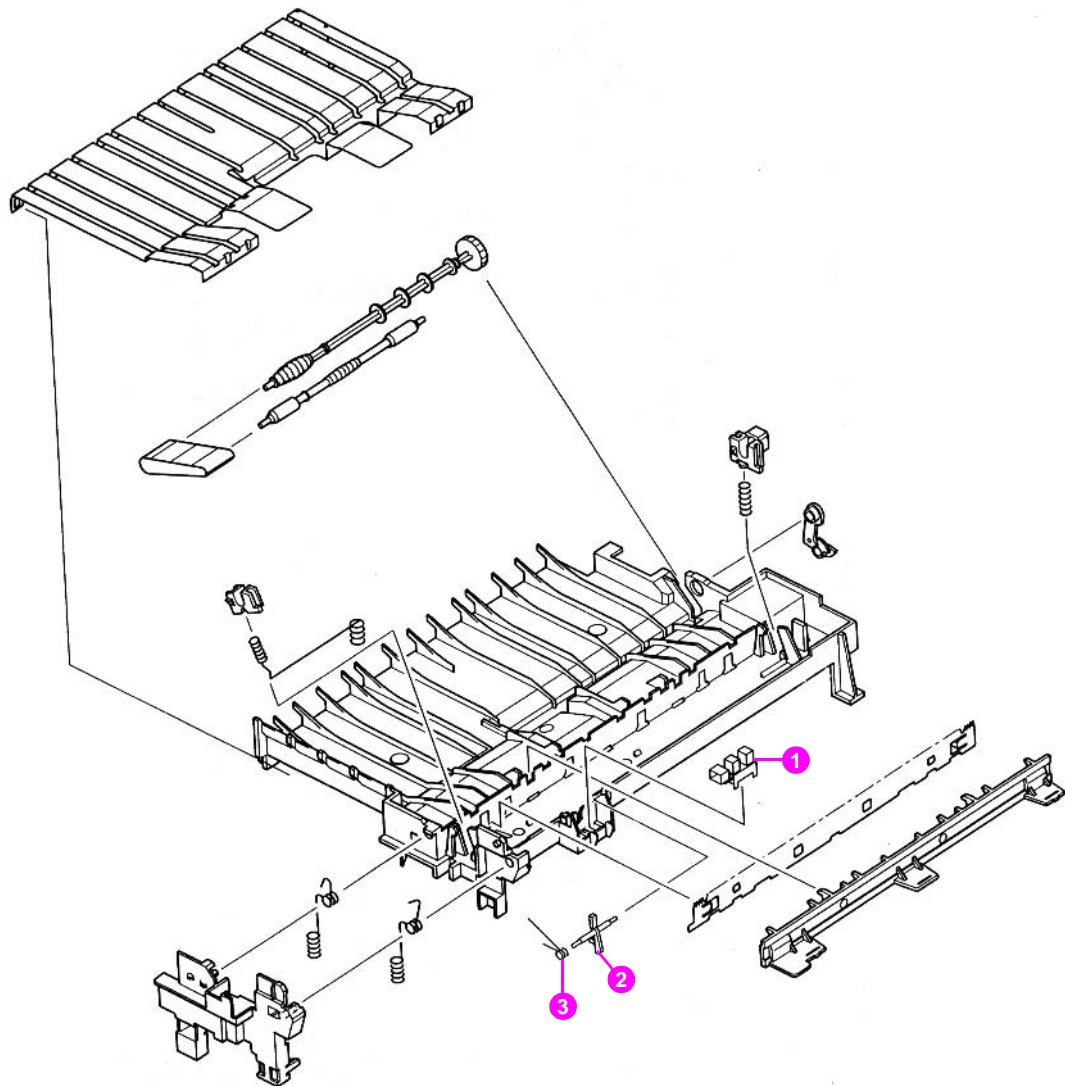


Figure 130. Tray 1 pickup assembly

**Table 66. Tray 1 pickup assembly**

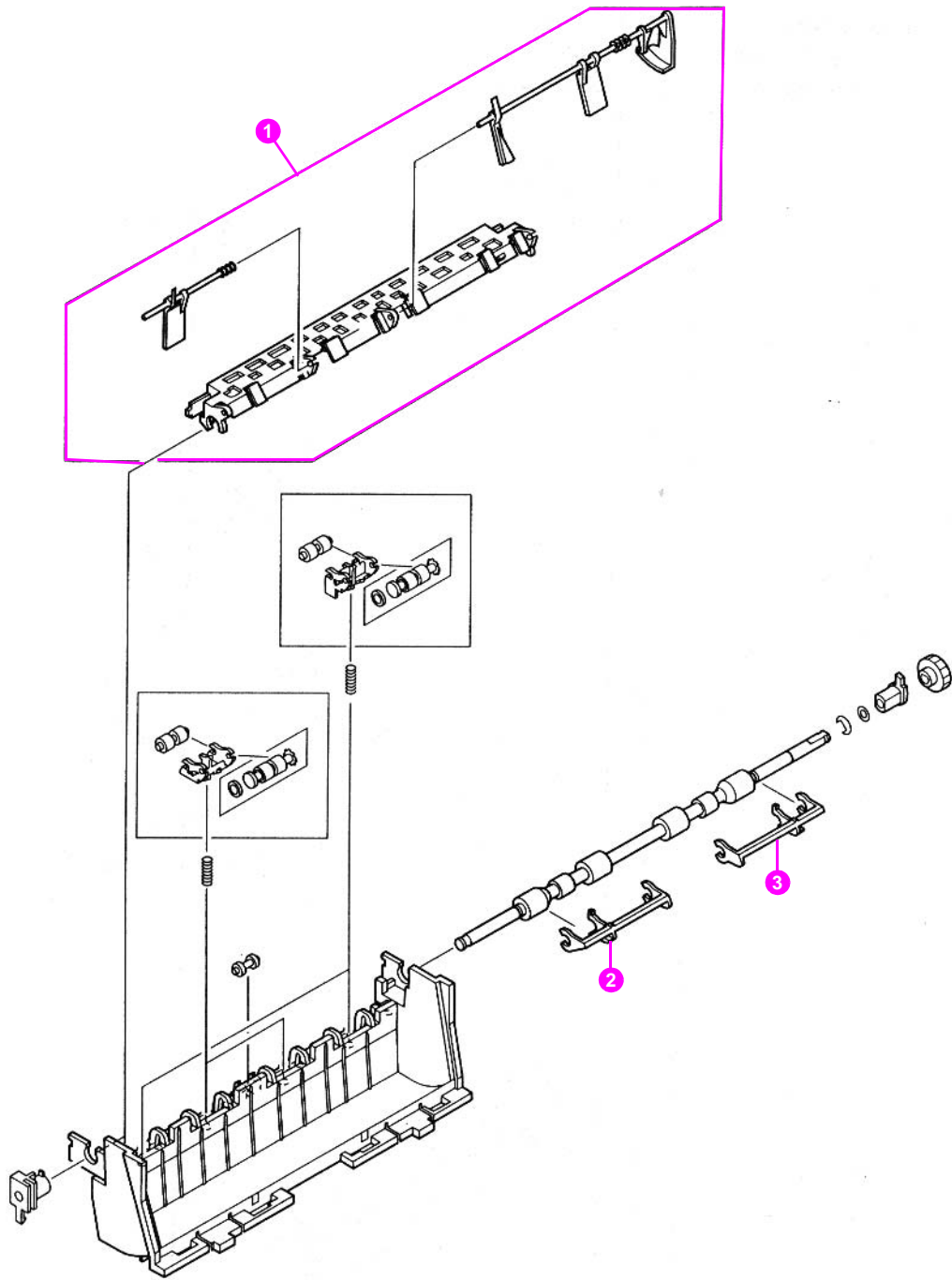
<b>Item no.</b>	<b>Part no.</b>	<b>Quantity</b>	<b>Description</b>
	RG5-5084-000CN	1	Tray 1 pickup assembly
1	RB1-8787-050CN	1	Arm, tray 1 paper sensing
2	RB2-2387-000CN	1	Arm, tray 1 retaining
3	RB2-5040-000CN	1	Cover, tray 1 sensor arm
4	RB2-5019-000CN	1	Gear cover
5	RH7-5172-000CN	1	Solenoid, tray 1 drive
6	RG5-3718-000CN	1	Tray 1 pickup roller assembly
7	RF5-3086-000CN	1	Pad, separation
8	RB2-5037-000CN	1	Cover, envelope feeder



**Figure 131.** Paper feed guide assembly

**Table 67.** Paper feed assembly

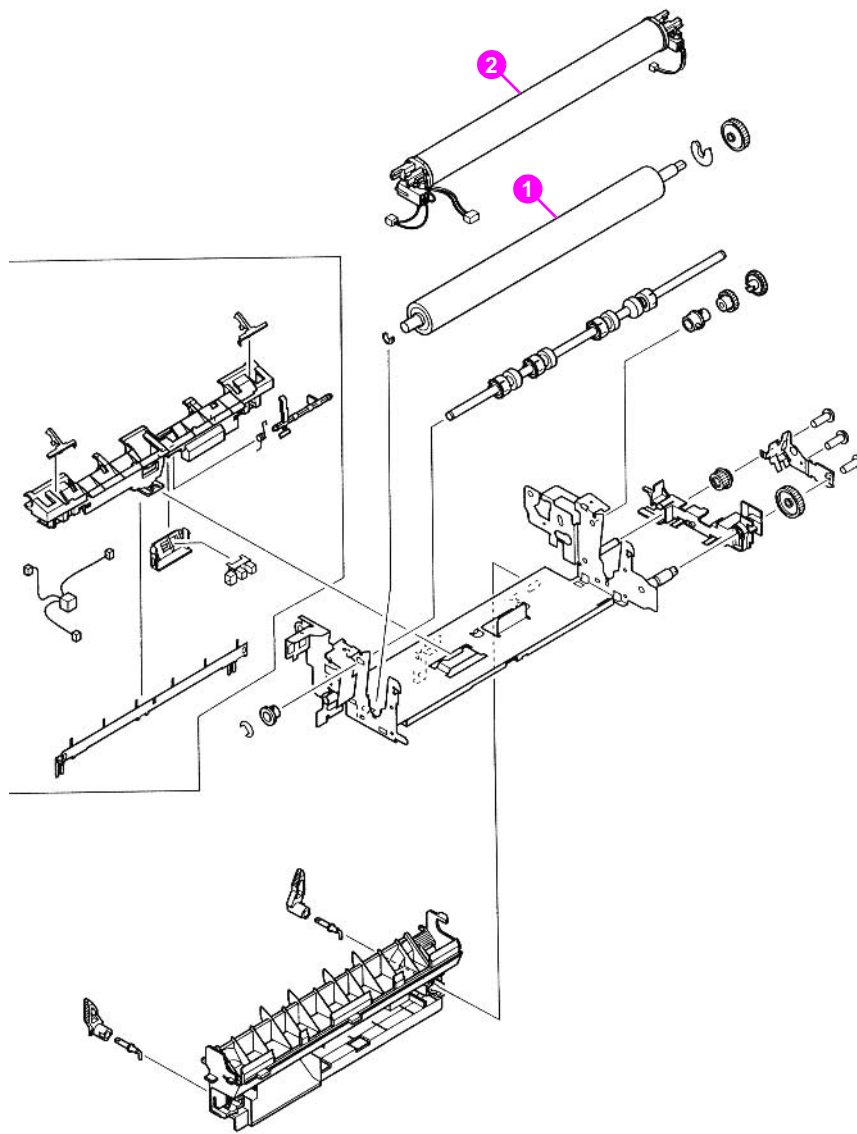
Item no.	Part no.	Quantity	Description
	RG5-5083-000CN	1	Paper feed guide assembly
1	WG8-5362-000CN	1	Photo-interrupter
2	RB2-5034-000CN	1	Flag, sensor
3	RB2-5035-000CN	1	Spring, torsion



**Figure 132.** Delivery assembly

**Table 68.** Delivery assembly

Item no.	Part no.	Quantity	Description
	RG5-5094-000CN	1	Delivery assembly
1	RG5-5093-000CN	1	Delivery sensor arm assembly
2	RB2-4948-000CN	1	Arm, output kicker, left
3	RB2-4949-000CN	1	Arm, output kicker, right



**Figure 133.** Fuser assembly (1 of 2)

**Table 69.** Fuser assembly

Item no.	Part no.	Exchange no.	Quantity	Description
	RG5-5063-000CN	C8049-69001	1	Fuser (110 V)
	RG5-5064-000CN	C8049-69002	1	Fuser (220 V)
1	RB2-4919-000CN		1	Roller, pressure
2	RG5-5068-000CN		1	Fuser film assembly (110 V)
	RG5-5069-000CN		1	Fuser film assembly (220 V)

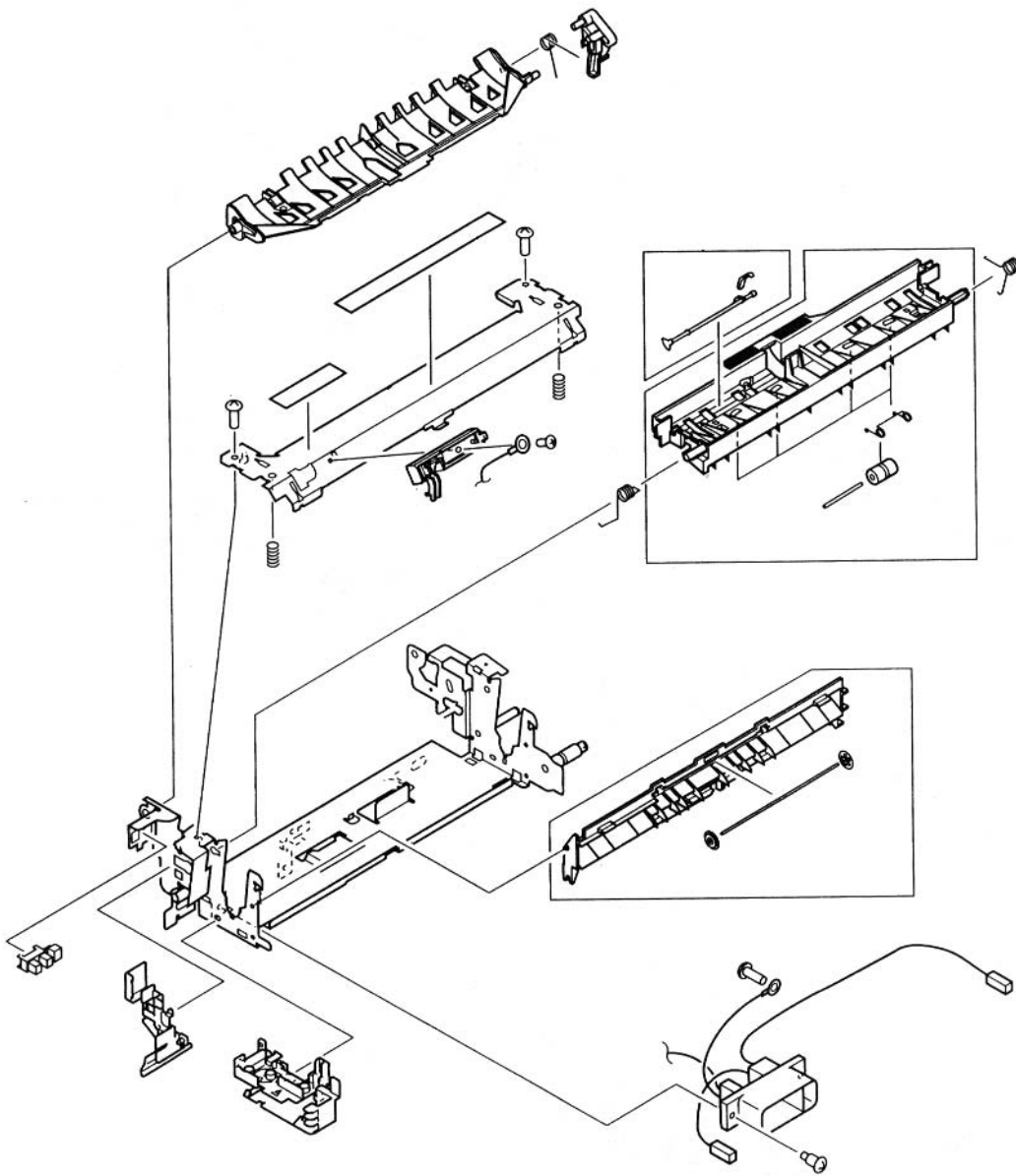
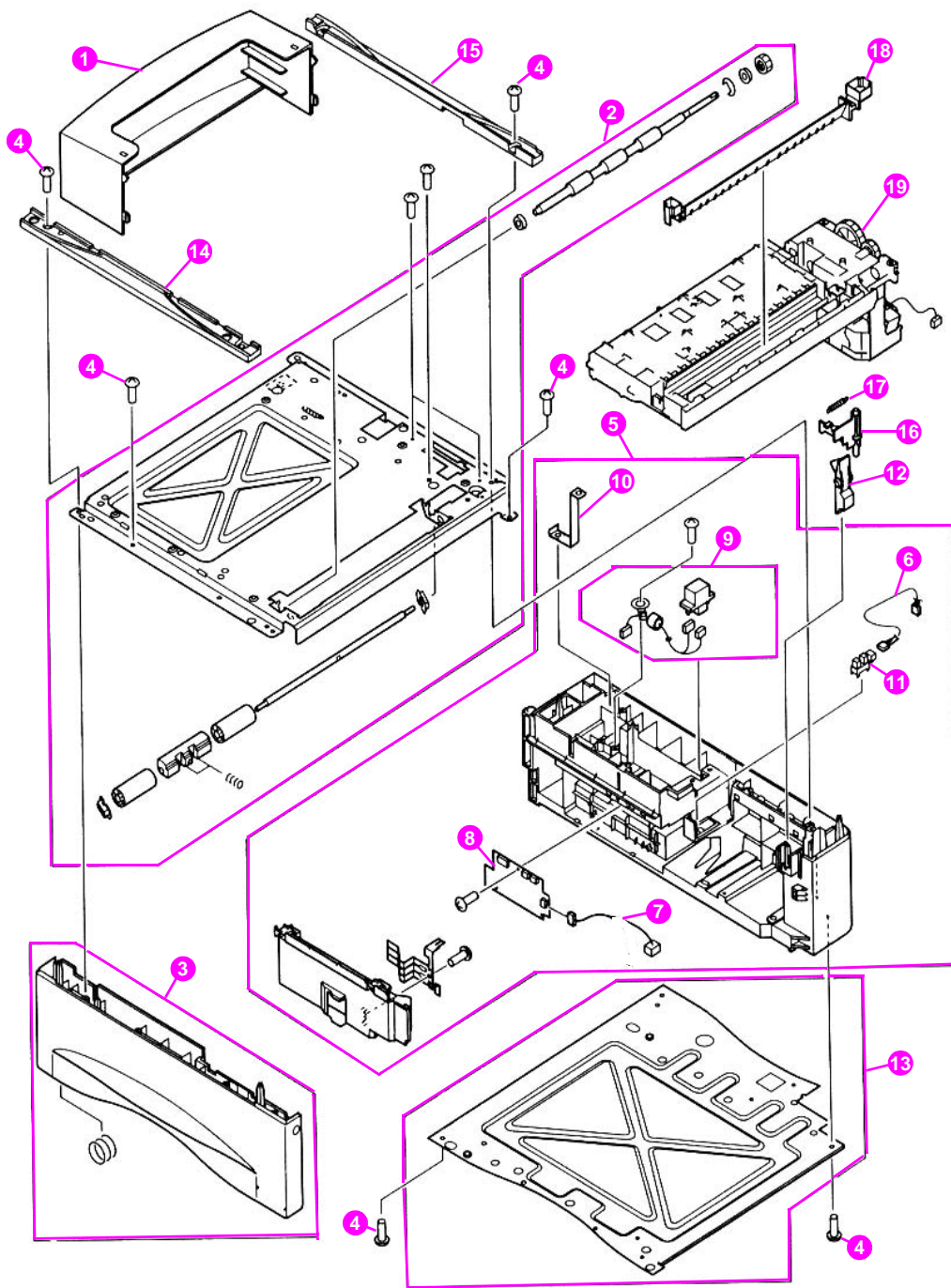


Figure 134. Fuser assembly (2 of 2)

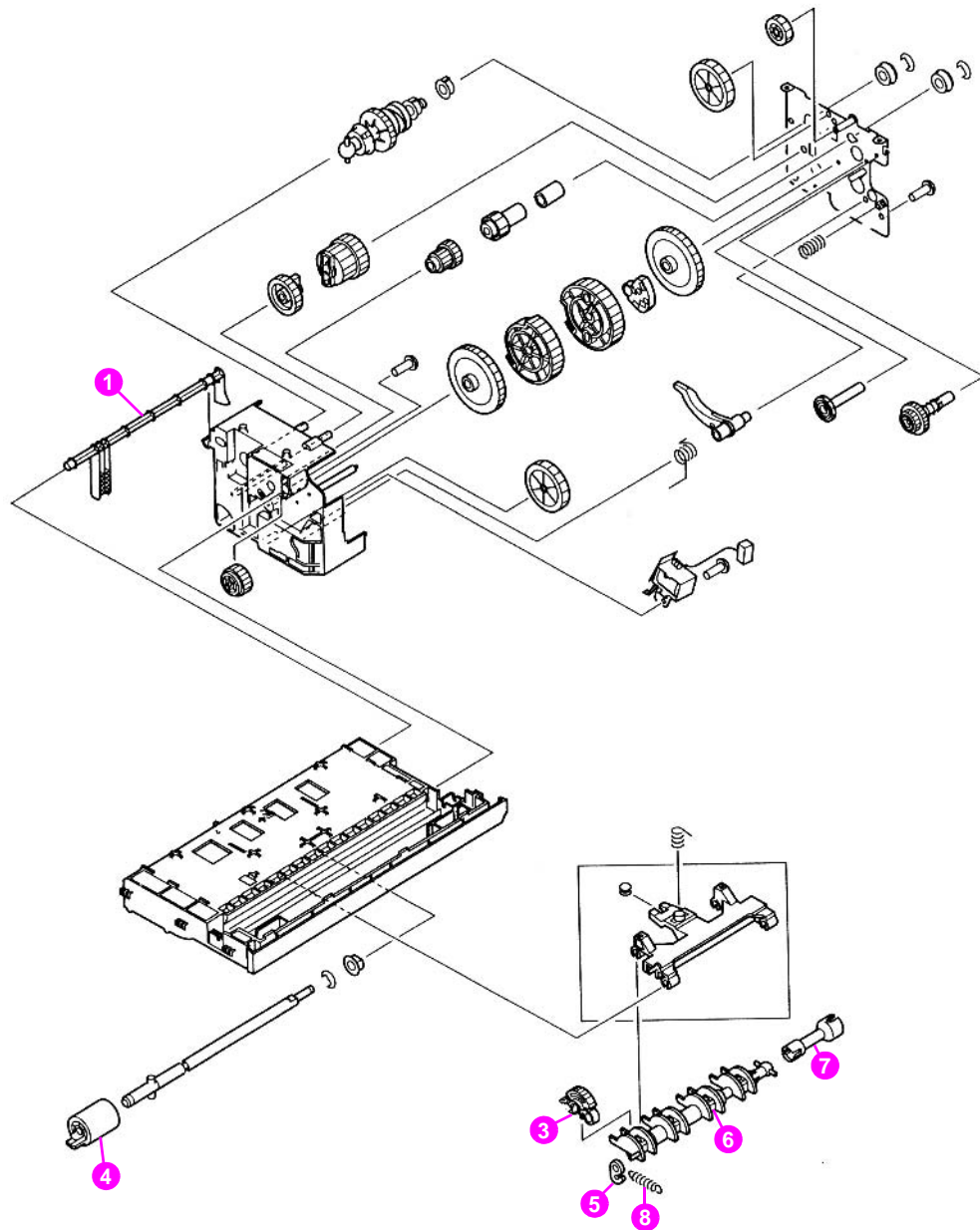




**Figure 135.** Internal components of optional 500-sheet feeder

**Table 70. Internal components of optional 500-sheet feeder**

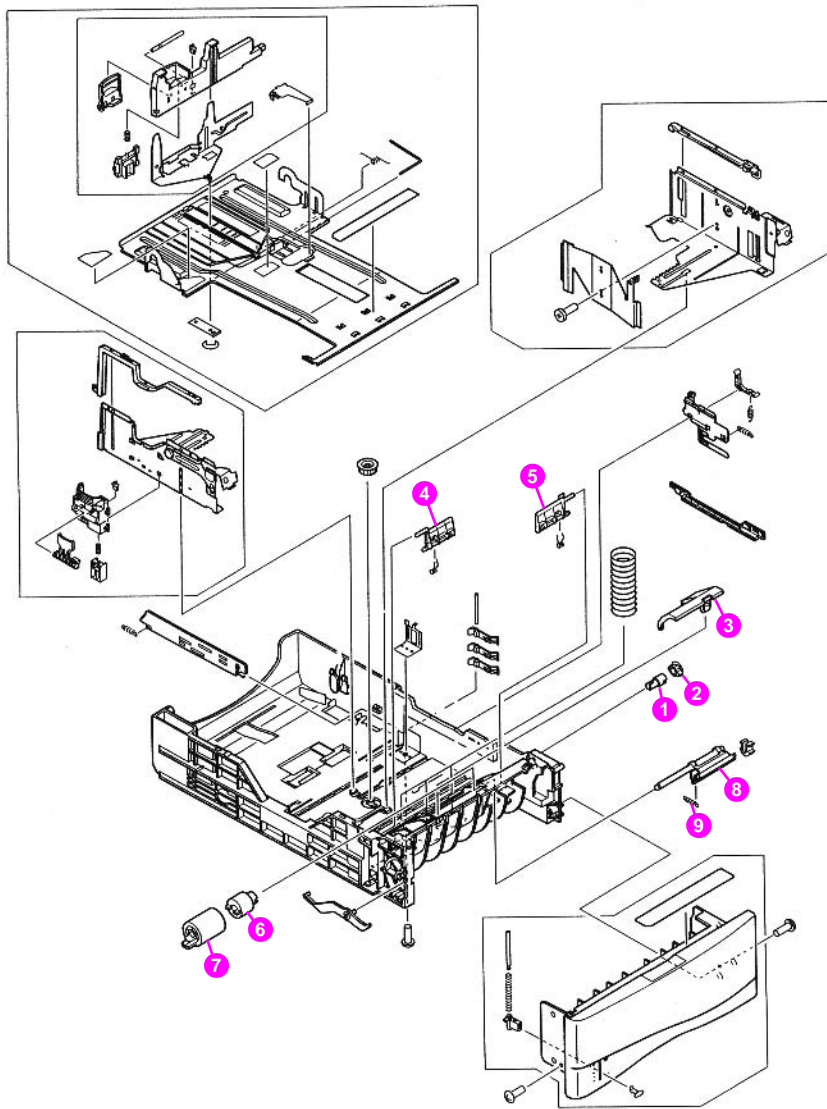
Item no.	Part no.	Quantity	Description
1	RB2-4836-000CN	1	Cover, tray
2	RG5-2689-000CN	1	Upper frame assembly, optional 500-sheet feeder
3	RG5-5292-000CN	1	Left frame assembly, optional 500-sheet feeder
4	FA9-2753-000CN	19	Screw, M4x10
5	RG5-5291-000CN	1	Right frame assembly, optional 500-sheet feeder
6	RG5-3711-000CN	1	Paper sensor cable
7	RG5-3712-000CN	1	Paper feeder cable
8	RG5-5539-000CN	1	Paper feeder PCA, optional 500-sheet feeder
9	RG5-3822-000CN	1	Paper feeder cable
10	RB1-9397-000CN	1	Plate, grounding
11	WG8-5362-000CN	1	Photo-sensor
12	RB2-3497-000CN	1	Lever, release
13	RG5-5271-000CN	1	Lower frame assembly
14	RB1-8924-000CN	1	Cover, grip, left
15	RB1-9385-000CN	1	Cover, grip, right
16	RB2-2412-000CN	1	Lever
17	RS5-2658-000CN	1	Spring, tension
18	RB1-8914-000CN	1	Guide, paper
19	RG5-5293-000CN	1	Paper pickup guide assembly, optional 500-sheet feeder



**Figure 136.** Paper pickup guide assembly of optional 500-sheet feeder

**Table 71. Paper pickup guide assembly, optional 500-sheet feeder**

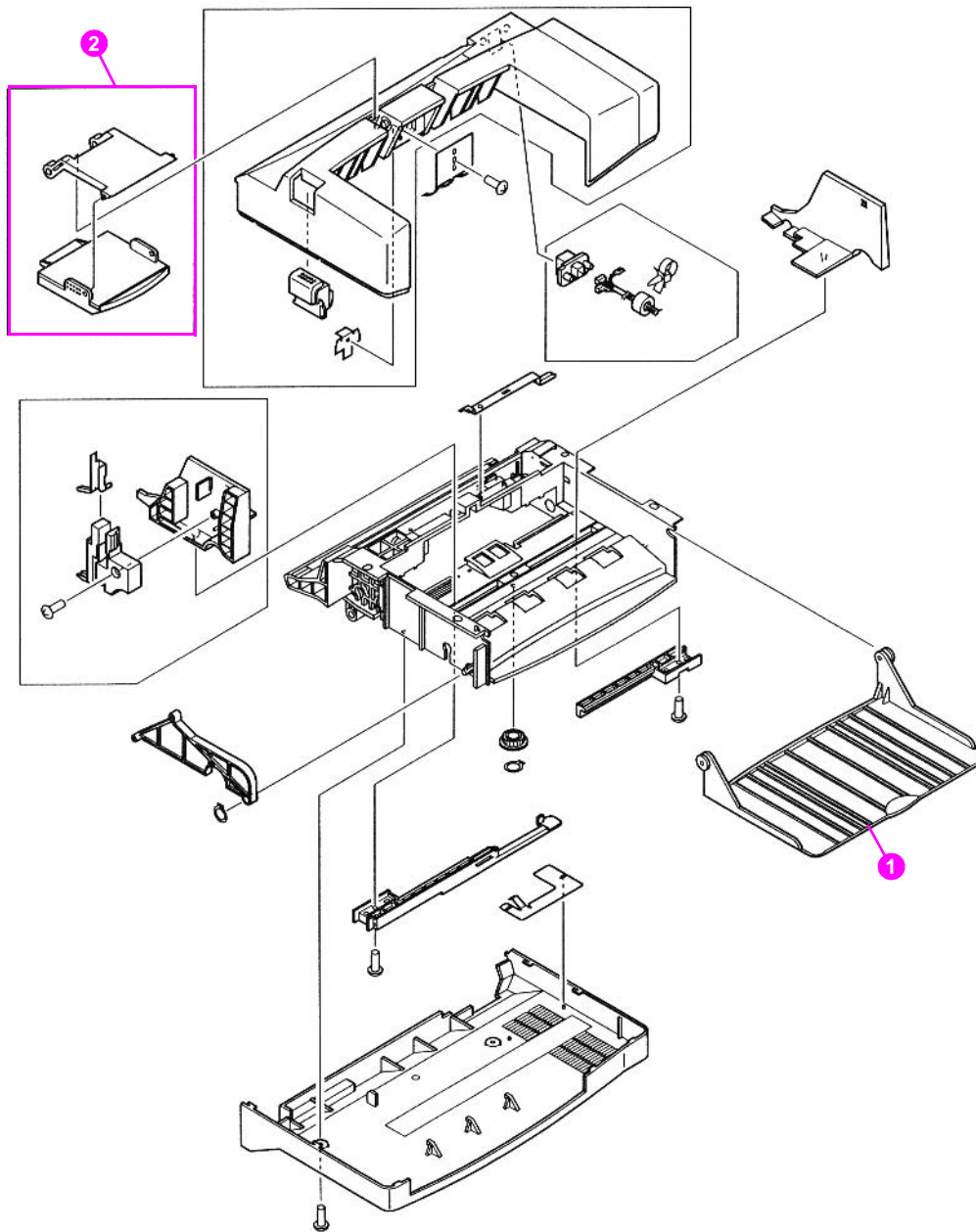
<b>Item no.</b>	<b>Part no.</b>	<b>Quantity</b>	<b>Description</b>
	RG5-5293-000CN	1	Paper pickup guide assembly, optional 500-sheet feeder
1	RB1-8879-000CN	1	Arm, tray sensing
3	RB1-8957-000CN	4	Roller, pickup
4	RF5-3114-000CN	1	Feed, roller
5	RB1-2190-000CN	1	Clip, pickup spring
6	RB1-8867-000CN	1	Shaft, roller
7	RB1-8877-000CN	1	Coupler, pickup
8	RS5-2632-000CN	1	Spring, tension



**Figure 137.** 500-sheet tray

**Table 72.** 500-sheet tray

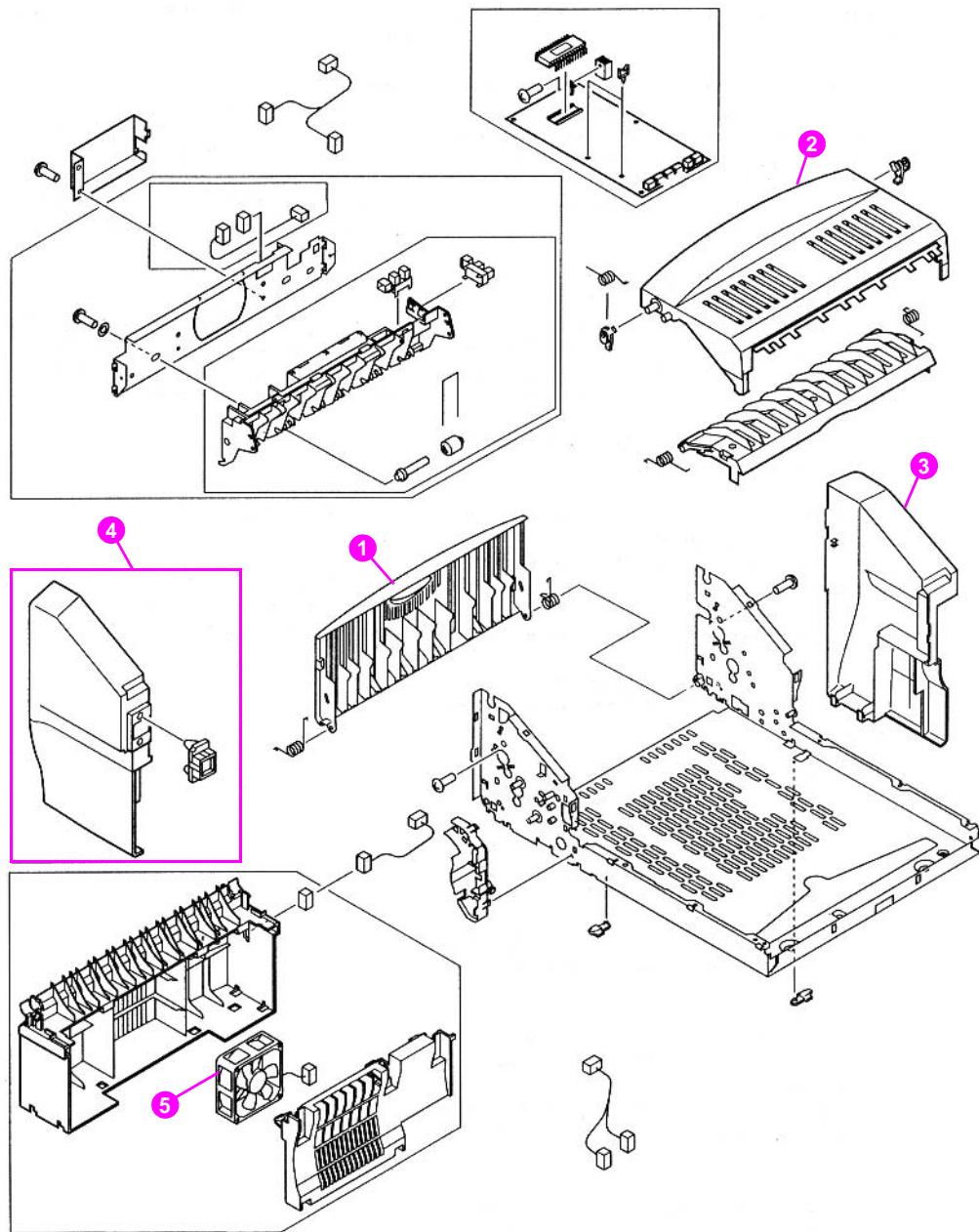
Item no.	Part no.	Quantity	Description
1	RB1-8945-000CN	1	Coupler, separation roller
2	RB1-8946-000CN	1	Bushing, separation roller
3	RB1-8947-000CN	1	Panel, roller access
4	RB1-8961-000CN	1	Left arm lifter
5	RB1-8962-000CN	1	Right arm lifter
6	RB1-8974-000CN	1	Torque limiter
7	RF5-3114-000CN	1	Roller, feed
8	RF5-2489-000CN	1	Mounting assembly separation roller
9	RS5-2622-020CN	1	Spring, separation roller tension



**Figure 138.** Envelope feeder

**Table 73.** Envelope feeder

Item no.	Part no.	Exchange no.	Quantity	Description
	C8053A	C8053-69001	1	Envelope feeder
1	RB2-4734-000CN		1	Tray, envelope feeder
2	RG5-2734-000CN		1	Weight assembly



**Figure 139.** Internal components of duplexer

**Table 74. Internal components of duplexer**

<b>Item no.</b>	<b>Part no.</b>	<b>Exchange no.</b>	<b>Quantity</b>	<b>Description</b>
	C8054A	C8054-69001	1	Duplexer
1	RB1-9045-000CN		1	Panel, rear
2	RB2-4766-000CN		1	Cover, top
3	RB2-4768-000CN		1	Cover, right
4	RF5-3092-000CN		1	Cover, left
5	RH7-1443-000CN		1	Fan